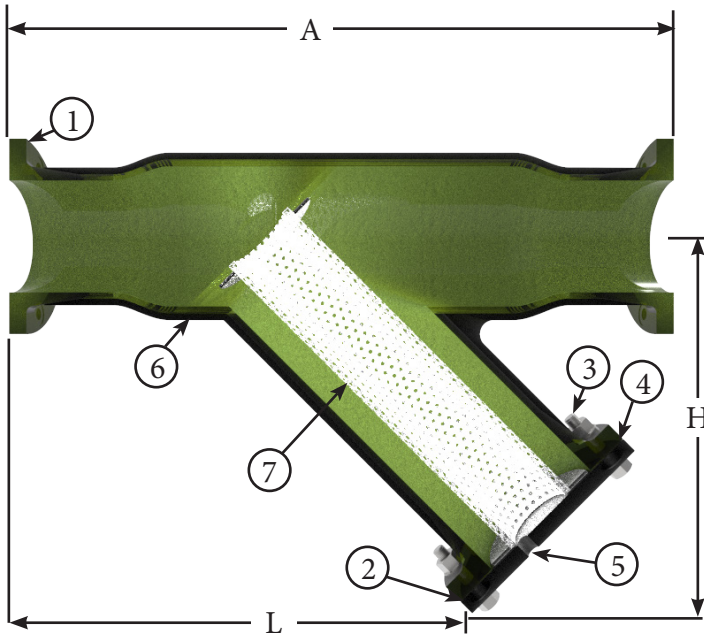


WYE (Y) SERIES FRP WYE STRAINER

MAX PRESSURE RATING: 150 PSI
MAX TEMP: 180-220 F
SERVICE FLUID: CORROSIVE

The Fluidtrol Wye - FRP series is a non-metallic housing wye strainer, engineered for corrosive industrial systems with limited vertical access.

Wetted housing surfaces are comprised of Fiberglass Reinforced Plastic (FRP) containing High Quality Vinyl Ester Resin. This composite construction offers high corrosion resistance along with the structural integrity to last a project lifespan of 20-30 years.



Item	Part	Material
1	Flange	FRP
2	Gasket	EPDM STANDARD
3	Fastener	SS316 STANDARD
4	Cover	FRP D411/D470
5	Drain / Blowdown	FRP D411/D470
6	Body	FRP D411/D470
7	Basket	1/8" Perf PVDF
8	Drain	FRP

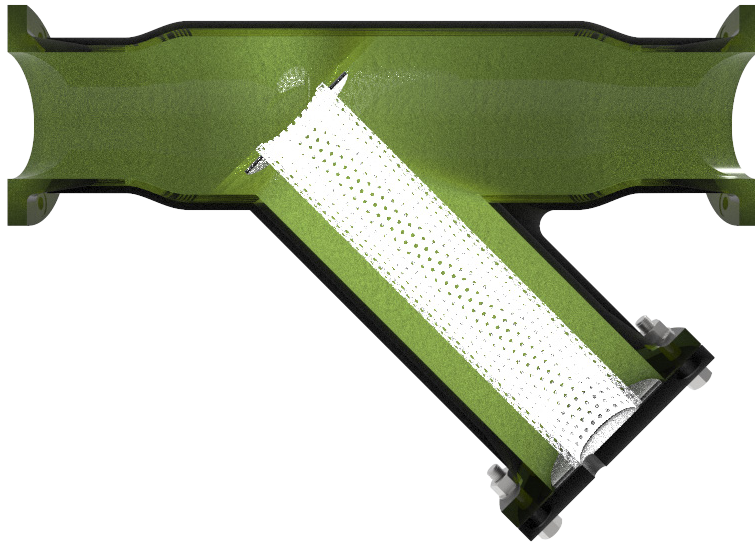
The standard strainer basket material is PVDF and has 1/4" perforations. Several options exist for clients requiring a different filtration level or material of construction as shown on page 2.



Wye - FRP	Strainer Size	Face to Face (inch) A	Height (inch) H	Length (inch) L	Basket Area / Inlet Area
WY184102037	2	23	12	15 5/8	23
WY184103037	3	28	18	21 3/8	10.2
WY184104037	4	32	18	23	16.5
WY184105037	5	39	20 7/8	28 1/4	13.6
WY184106037	6	39	20 7/8	28 1/4	13.6
WY184108037	8	48	26	33 1/8	11.8
WY184110037	10	50	32 7/8	35	10.5
WY184112037	12	56	32 7/8	41 7/8	10
WY184114037	14	60	41	45 1/4	9.9

Most custom work is only 20% more, contact Fluidtrol for details.





Fluidtrol has professional engineering capabilities to meet your technical needs and can create custom designs including FEA and CFD analysis.

Baskets



Select your basket by first determining the opening size. Next determine the material most suitable for your fluid. SS316 has the best availability. AL6XN is great for salt water. Hastelloy C276 and Monel are suitable for many fluids and a good option when mesh liners are required. PVC fairs well up to 140 deg F, PP and CPVC 180 deg F, and PVDF 250 deg F.

Perf /Mesh	Opening (micron)	Effective Open Area					Hastelloy C276 / Monel					
			PVC	CPVC	PVDF	PP	SS316	AL6XN	Monel			
1/4" Perf	6350	40%	\$	\$	\$	\$	\$	\$	\$\$\$			
3/16" Perf	4762	51%						\$				
5/32" Perf	3968	63%						\$				
1/8" Perf	3175	40%	\$	\$	\$	\$	\$	\$	\$\$\$			
20 mesh	841	21%	ETFE mesh liner is available for mesh sizes 20,40 and 60				\$		\$	\$\$\$		
40 mesh	400	20%					\$		\$		\$	\$\$\$
60 mesh	250	15%					\$		\$		\$	\$\$\$
80 mesh	177	17%					\$		\$		\$	\$\$\$
100 mesh	149	19%	PVDF mesh liner available				\$		\$	\$\$\$		

Other options available, Open area for mesh is estimate

